

Rocker Switch (RS1-1 Series)

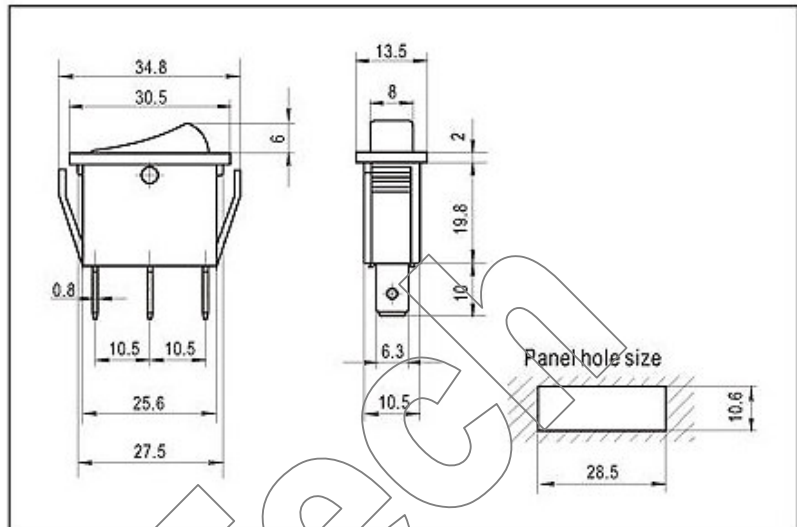


SPECIFICATIONS

16 (4) A 250VAC T125/55 1E4

15A 125VAC / 7.5A 250VAC

ROHS Compliance



EXPLANATION MODEL NUMBER

RS1-1 - 11/N - C - 2 - RE/BK - P1 (2)

